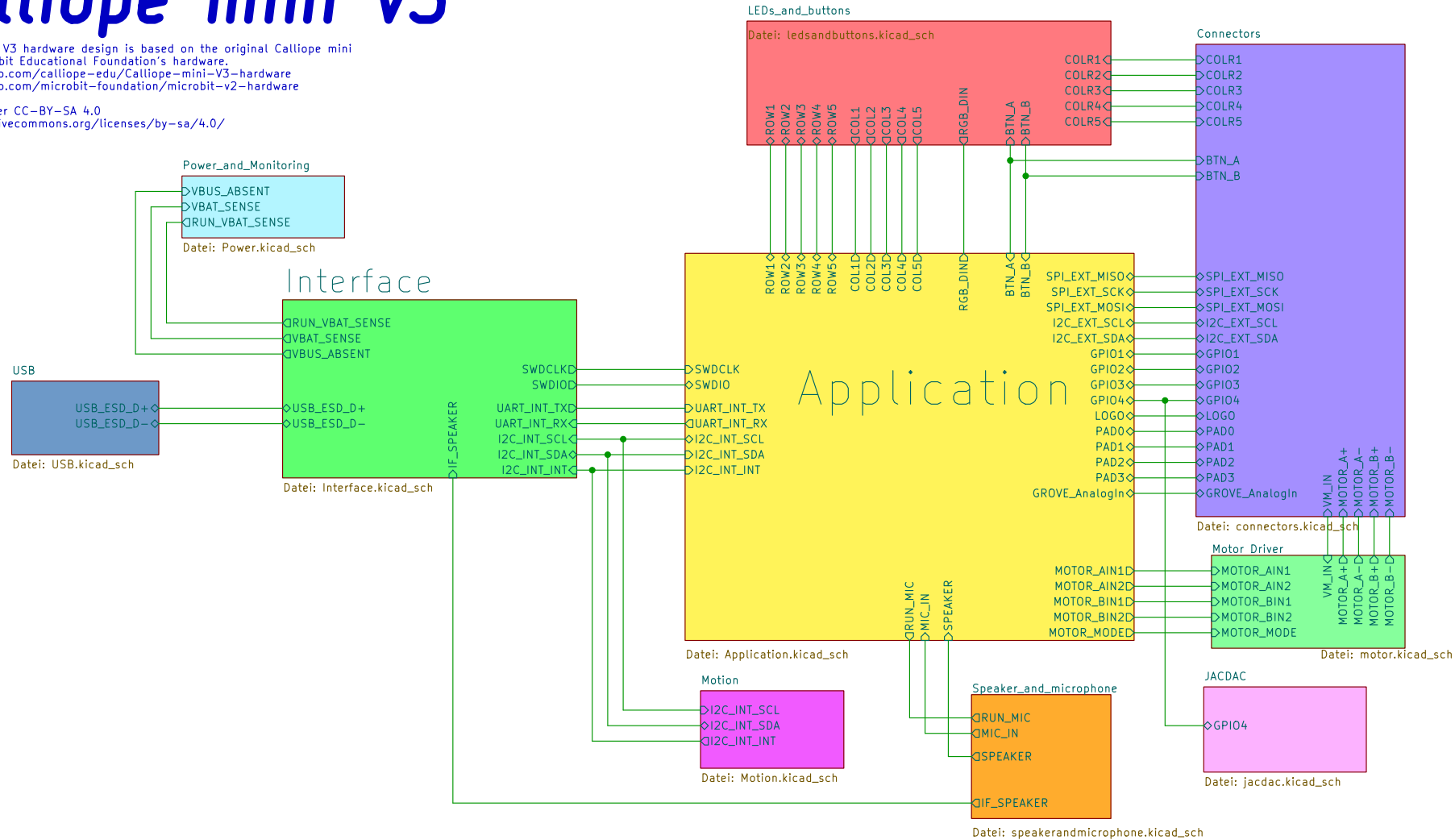


Calliope mini V3

Calliope mini V3 hardware design is based on the original Calliope mini and of Micro:bit Educational Foundation's hardware.
<https://github.com/calliope-edu/Calliope-mini-V3-hardware>
<https://github.com/microbit-foundation/microbit-v2-hardware>

Licensed under CC-BY-SA 4.0
<https://creativecommons.org/licenses/by-sa/4.0/>



Notes:
 - INT means internal, as EXT means external
 - IF is interface

calliope gGmbH

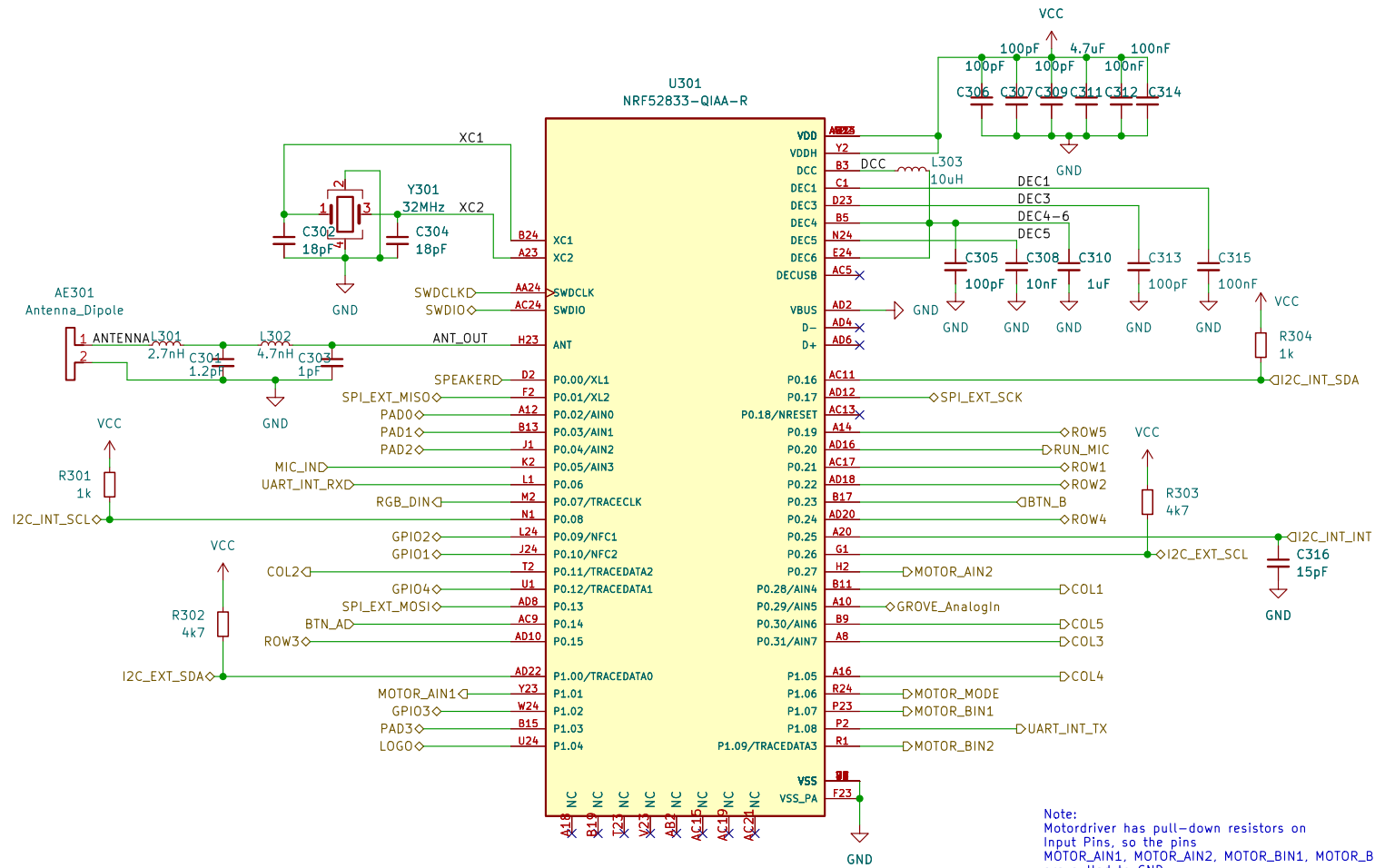
Sheet: /
 File: miniv3.kicad_sch

Title: miniv3

Size: A4 | Date: 2023-10-12
 KiCad E.D.A. kicad 6.0.11-2627ca5db0-126-ubuntu20.04.1

Rev: **REV14_2**
 Id: 1/11

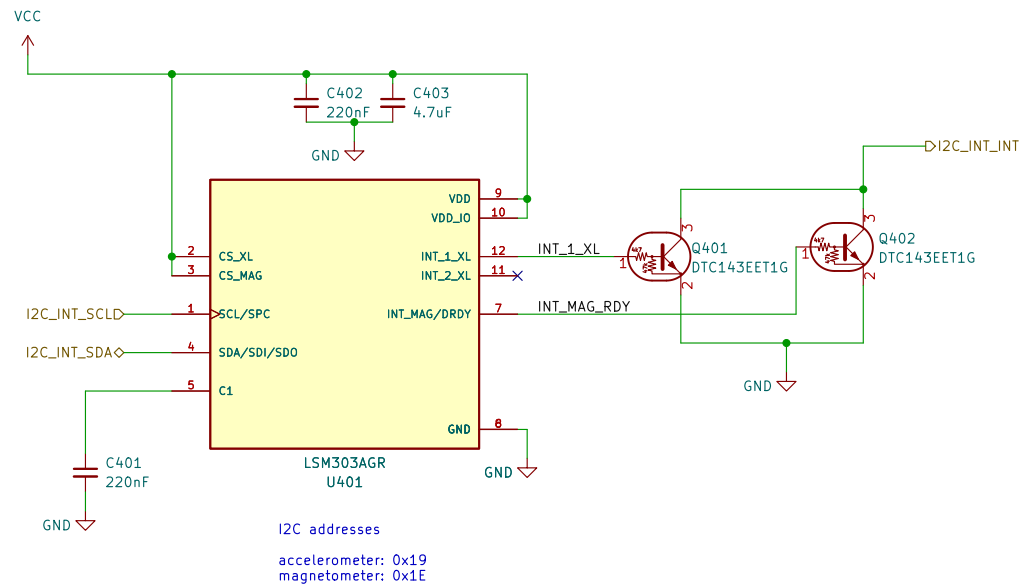
Application Processor



Note:
Motordriver has pull-down resistors on
Input Pins, so the pins
MOTOR_AIN1, MOTOR_AIN2, MOTOR_BIN1, MOTOR_BIN2, MOTOR_MODE
are pulled to GND.

calliope gGmbH	
Sheet: /Application/ File: Application.kicad_sch	
Title: miniv3	
Size: A4	Date: 2023-10-12
KiCad E.D.A. kicad 6.0.11-2627ca5db0-126-ubuntu20.04.1	Rev: REV14_2 Id: 3/11

Accelerometer and Magnetometer



calliope gGmbH

Sheet: /Motion/
 File: Motion.kicad_sch

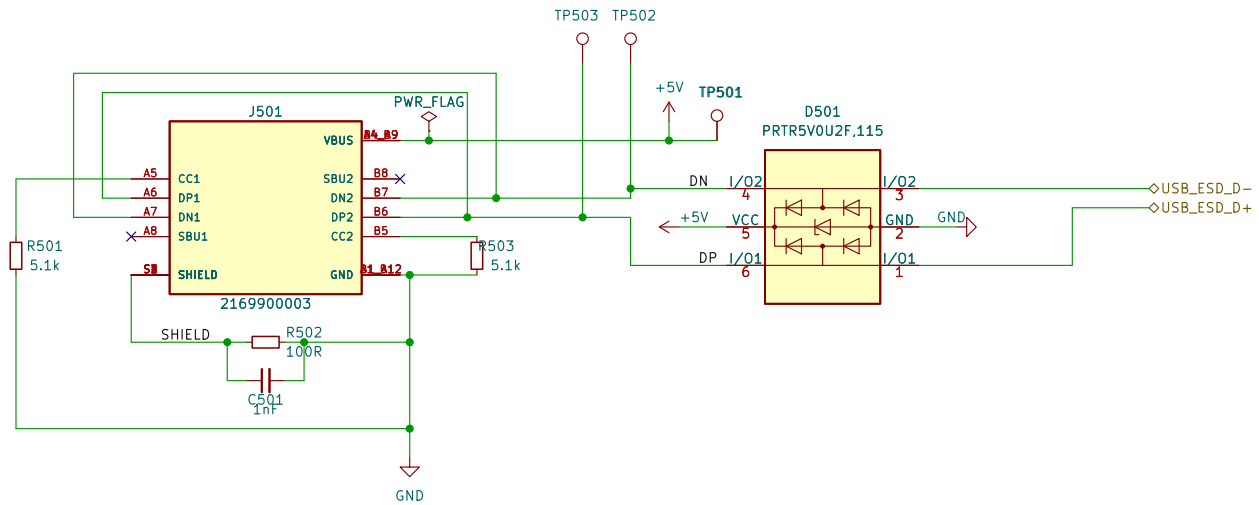
Title: miniv3

Size: A4 Date: 2023-10-12
 KiCad E.D.A. kicad 6.0.11-2627ca5db0-126-ubuntu20.04.1

Rev: REV14_2
 Id: 4/11

USB C Connector

5.1k resistors are necessary for USB C.



calliope gGmbH

Sheet: /USB/
File: USB.kicad_sch

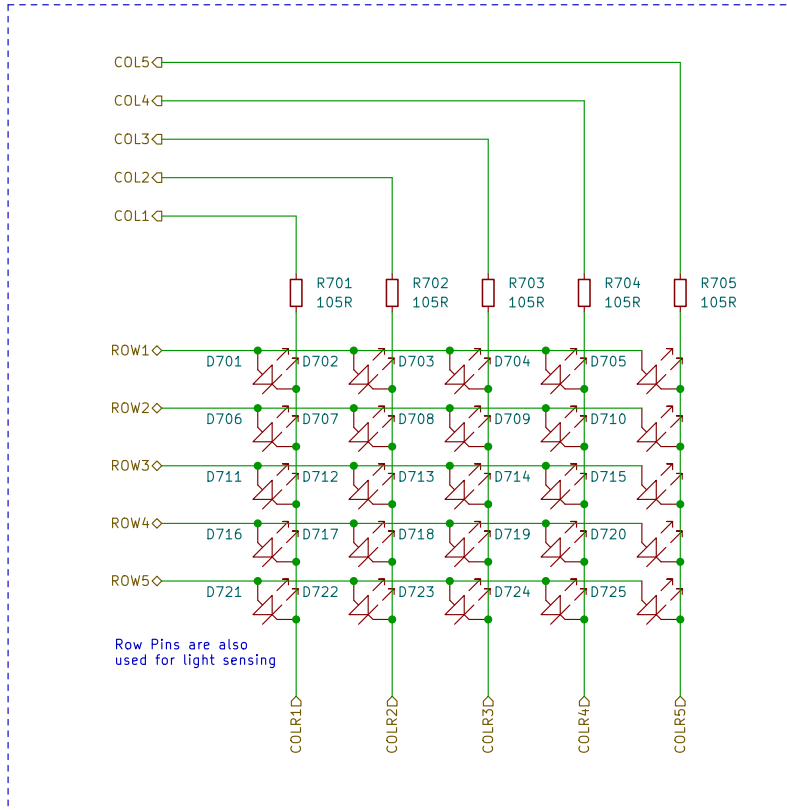
Title: miniv3

Size: A4 Date: 2023-10-12
KiCad E.D.A. kicad 6.0.11-2627ca5db0-126-ubuntu20.04.1

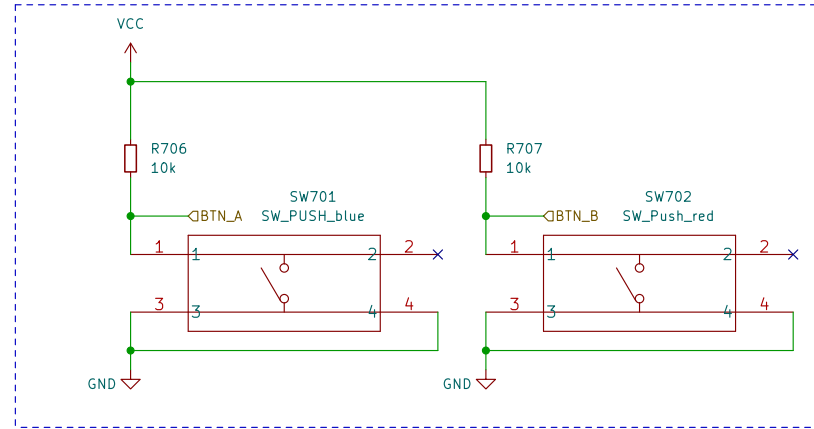
Rev: REV14_2
Id: 5/11

LEDs and buttons

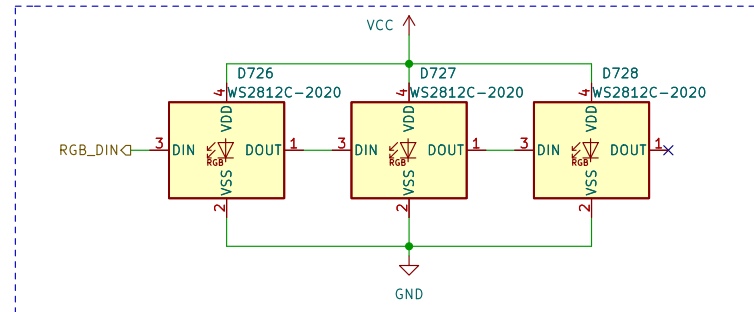
5x5 LED Matrix



Input Buttons



RGB LED



calliope gGmbH

Sheet: /LEDs_and_buttons/
File: ledsandbuttons.kicad_sch

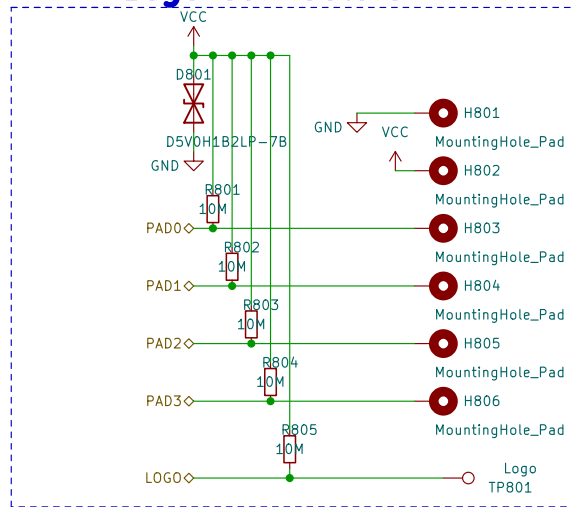
Title: **miniv3**

Size: A4 Date: 2023-10-12
KiCad E.D.A. kicad 6.0.11-2627ca5db0-126-ubuntu20.04.1

Rev: **REV14_2**
Id: 7/11

Connectors

Edge connectors

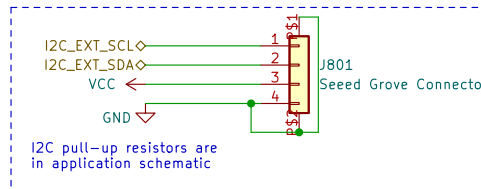


10M resistors for touch sensing

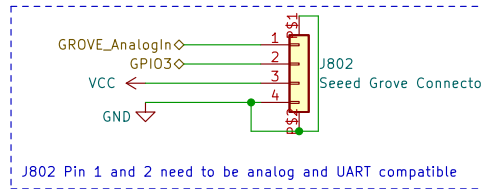
Fiducials

- FID801
- FID802
- FID803
- FID804

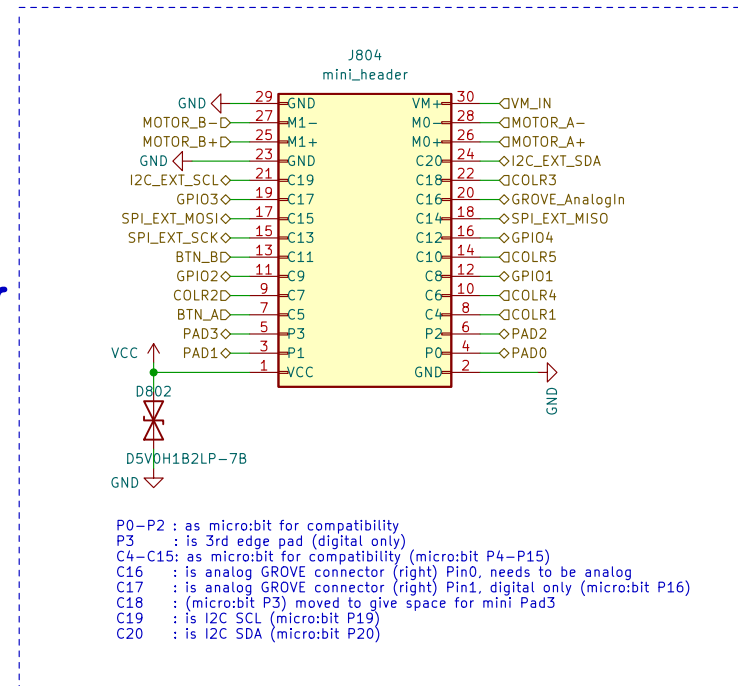
I2C Grove Connector



UART/Analog Grove Connector



mini Connector



calliope gGmbH

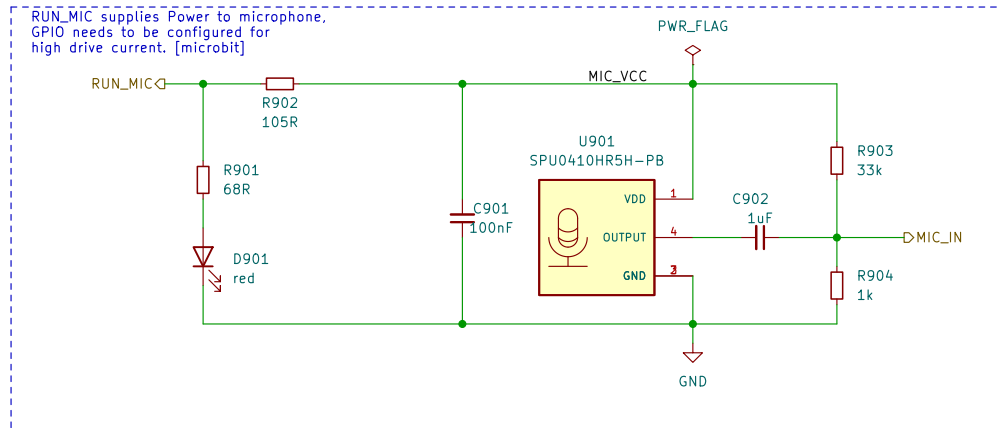
Sheet: /Connectors/
File: connectors.kicad_sch

Title: **miniv3**

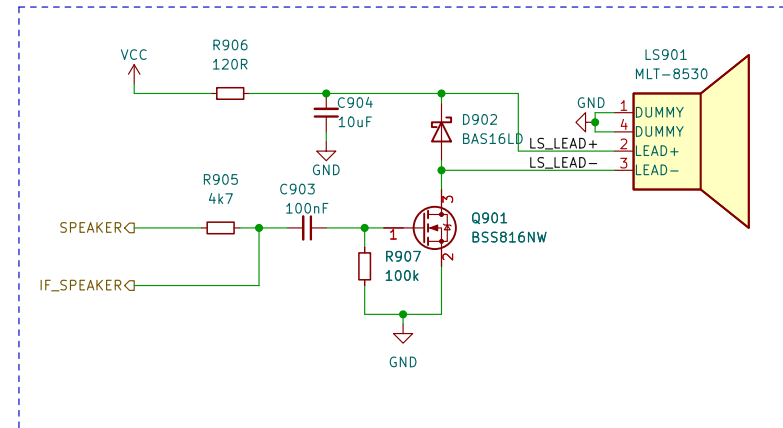
Size: A4 Date: 2023-10-12
KiCad E.D.A. kicad 6.0.11-2627ca5db0-126-ubuntu20.04.1

Rev: **REV14_2**
Id: 8/11

Speaker and microphone



Microphone



Speaker

calliope gGmbH

Sheet: /Speaker_and_microphone/
File: speakerandmicrophone.kicad_sch

Title: **miniv3**

Size: A4 Date: 2023-10-12

KiCad E.D.A. kicad 6.0.11-2627ca5db0-126-ubuntu20.04.1

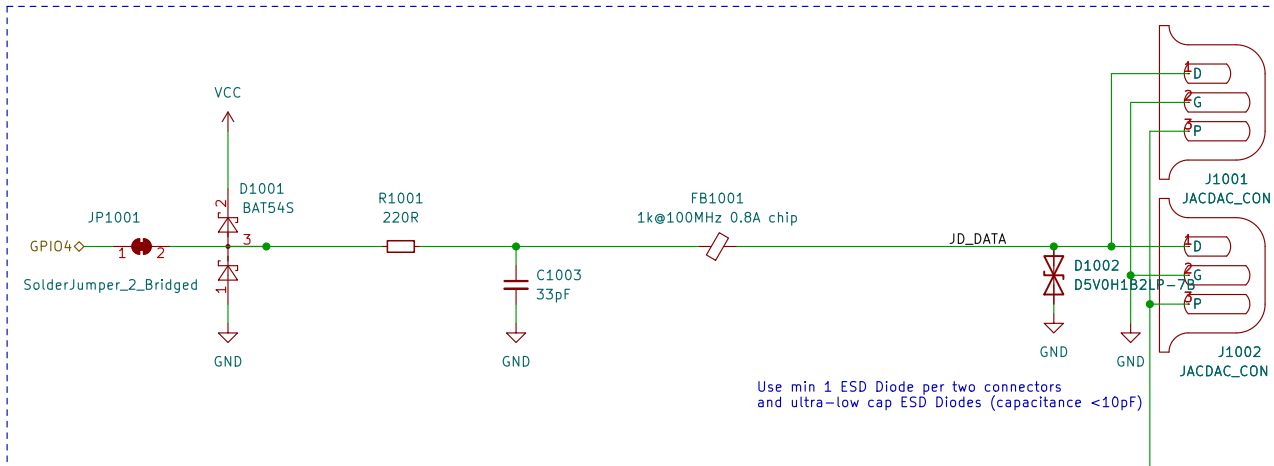
Rev: **REV14_2**

Id: 9/11

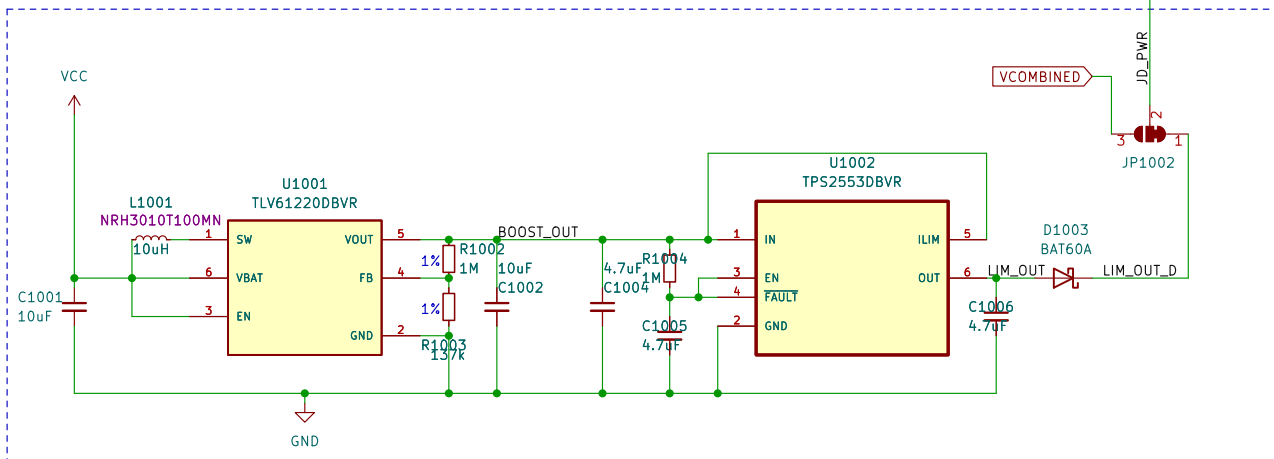
JACDAC

based on the JACDAC-DDK by Microsoft
<https://github.com/microsoft/jacdac-ddk>
licensed under CC BY-SA 4.0
<https://creativecommons.org/licenses/by-sa/4.0/>

JACDAC Connector



JACDAC Power



calliope gGmbH

Sheet: /JACDAC/

File: jacdac.kicad_sch

Title: miniv3

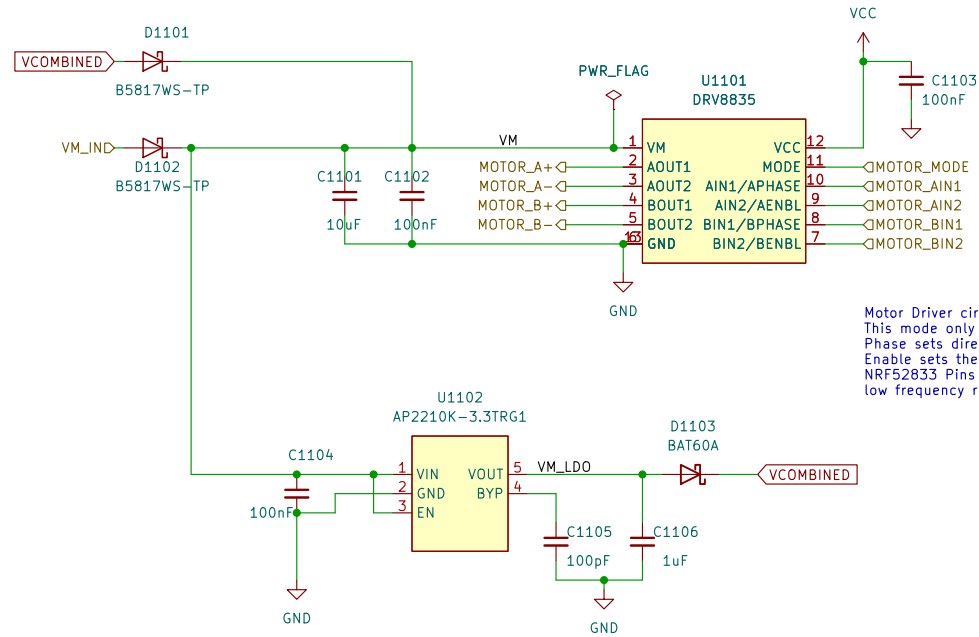
Size: A4 Date: 2023-10-12

KiCad E.D.A. kicad 6.0.11-2627ca5db0-126-ubuntu20.04.1

Rev: REV14_2

Id: 10/11

Motor Driver



Motor Driver circuitry is designed for Phase/Enable Mode.
 This mode only requires 1 PWM per output and 1 GPIO:
 Phase sets direction (GPIO)
 Enable sets the speed (PWM)
 NRF52833 Pins on AIN1 and BIN1 are
 low frequency recommended to ensure stable bluetooth operation.

This LDO supplies the Board when only VM present (no connected battery)

calliope gGmbH

Sheet: /Motor Driver/
 File: motor.kicad_sch

Title: miniv3

Size: A4 Date: 2023-10-12
 KiCad E.D.A. kicad 6.0.11-2627ca5db0-126-ubuntu20.04.1

Rev: REV14_2
 Id: 11/11